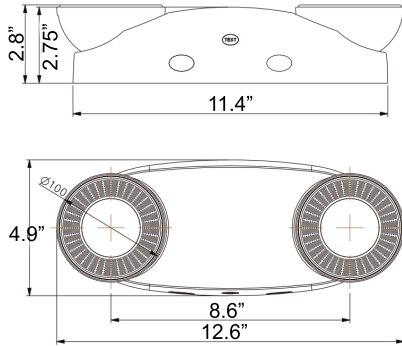


EL-HO



TECHNICAL SPECIFICATIONS:

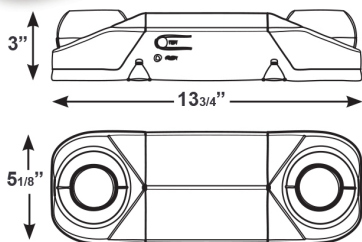
- :: Two fully adjustable 3-watt LED lamp heads for safe egress
- :: Improved beam control for increased spacing and illumination
- :: Dual voltage: 120/277
- :: Operating temperature: 68-122°F
- :: 6V maintenance-free lead acid rechargeable battery for long life
- :: Low profile compact design
- :: 90-minute rated with push style test switch and red indicator light
- :: Mounting: wall mounting with KO's in back plate
- :: UL-listed
- :: 3-year warranty



LED 2-HEAD HIGH-OUTPUT EMERGENCY LIGHT

CATALOG NO.	HOUSING	HEADS	VOLTAGE	BATTERY
EL-HO	White	(2) 3W	120/277V	6 Lead Acid

EW-16-LED



TECHNICAL SPECIFICATIONS:

- :: Two fully adjustable 3.3-watt LED lamp heads for safe egress
- :: Improved beam control for increased spacing and illumination
- :: Dual voltage: 120/277
- :: Operating temperature: 68-122°F
- :: 6V maintenance-free lead acid rechargeable battery for long life
- :: Low profile compact design, available in white, black housing
- :: 90-minute rated with push style test switch and red indicator light
- :: Mounting: wall mounting with KO's in back plate
- :: UL-listed, meets UL924, NFPA 101 Life Safety Code
- :: 3-year warranty



MR16 EMERGENCY LIGHTS

CATALOG NO.	HOUSING	HEADS	VOLTAGE	BATTERY	NOTES
EW-16-LED	White	(2) 3.3W	120/277V	6V Lead Acid	Universal mount: wall & ceiling
EW-16-B-LED	Black	(2) 3.3W	120/277V	6V Lead Acid	

H15